

# Yorkton

concrete products

NO. 9 HIGHWAY & YORK ROAD

P.O. BOX 129

YORKTON, SK S3N 2V6

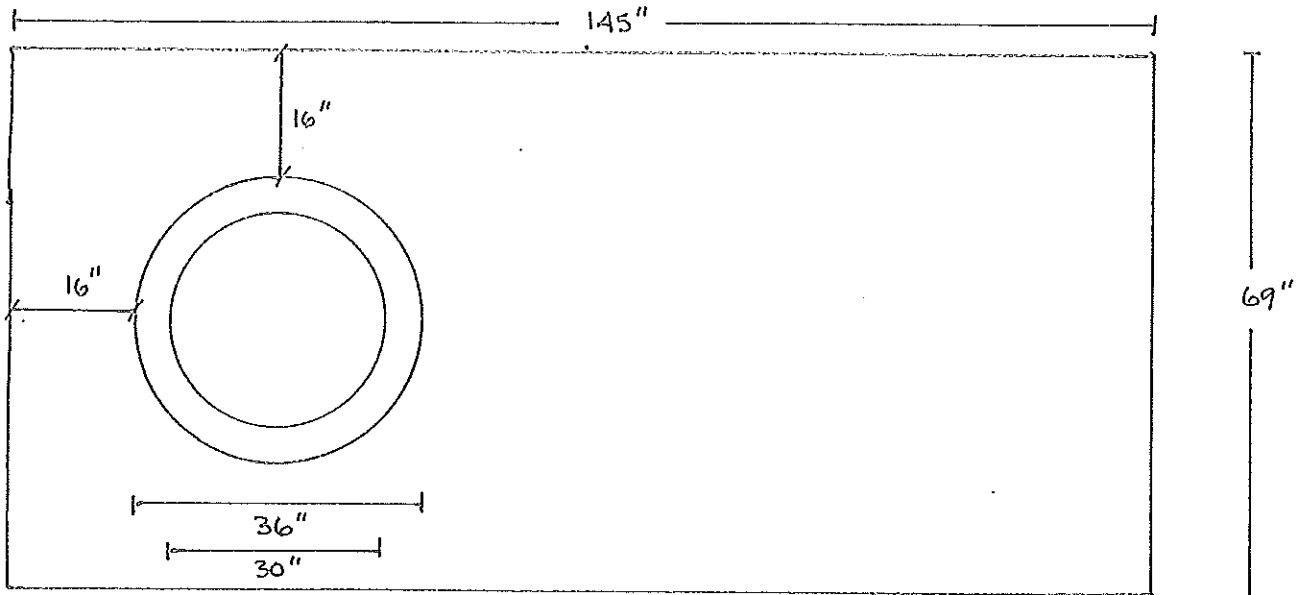
Phone: (306) 782-2264

Fax: (306) 786-6367

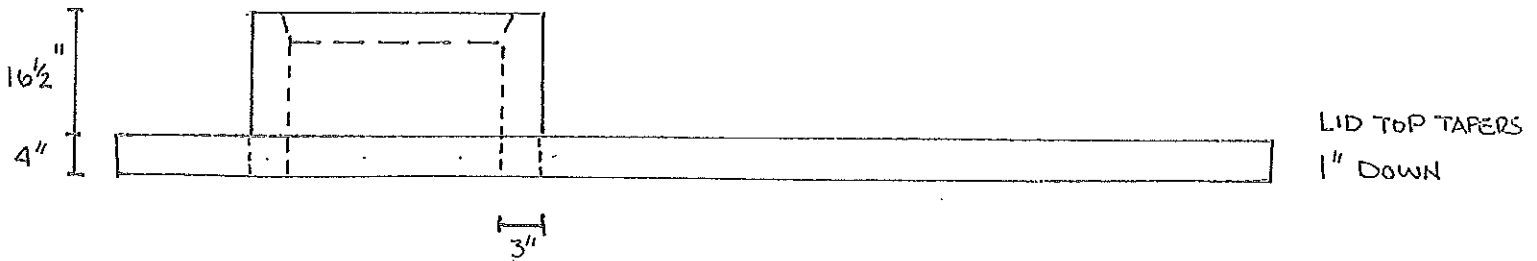
[www.yorktonconcrete.com](http://www.yorktonconcrete.com)

## 1650 GALLON HOLDING TANK LID

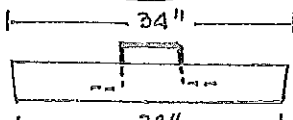
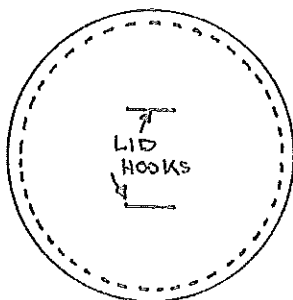
LID TOP VIEW



LID SIDE VIEW



MANHOLE LID TOP VIEW



MANHOLE LID SIDE VIEW