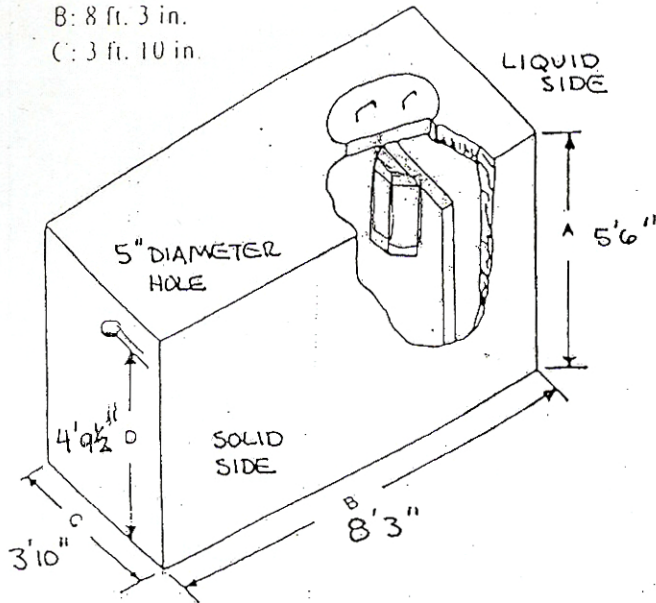


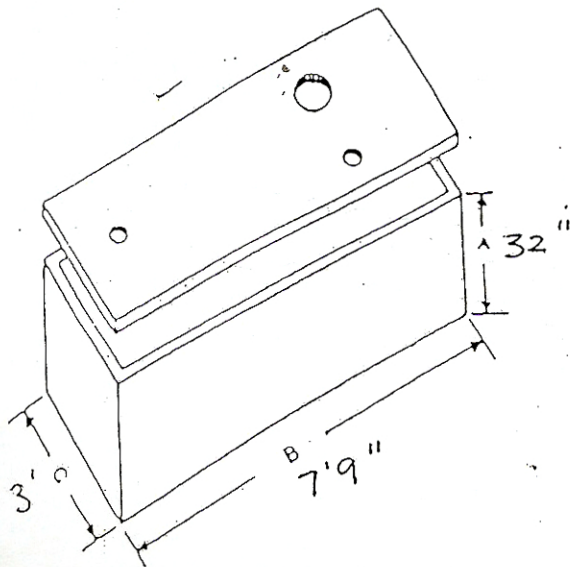
SEPTIC AND HOLDING TANKS

500 GALLON SEPTIC TANK

A: 5 ft. 6 in.
 B: 8 ft. 3 in.
 C: 3 ft. 10 in.



HOLE SHOULD BE 6' X 10'



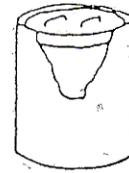
250 GALLON PRIVY VAULT

A: 2 ft. 5 in.
 B: 7 ft. 9 in.
 C: 3 ft.

MANHOLE PIPE

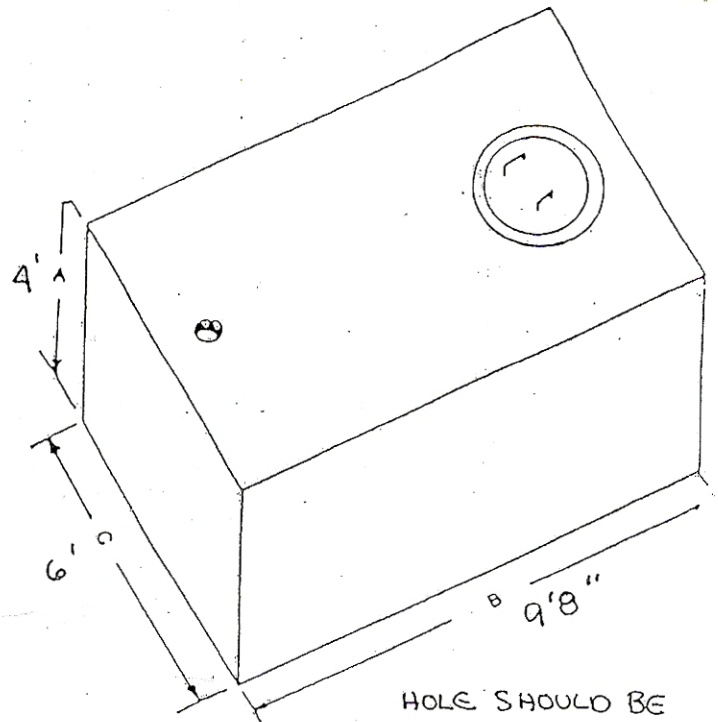
Exact
 29" x 37.5"

30 in. ID, 36 in. OD
 1 ft. & 3 ft. LENGTHS



LIDS: 34" O/S DIA.
 32" 1/5 DIA.

OLD STYLE: 32" DIA STRAIGHT



1000 GALLON HOLDING TANK

A: 4 ft.
 B: 9 ft. 8 in.
 C: 6 ft.

TANKS COME WITH 1' PIECE OF
 PIPE IN LID THAT IS CHANGED OUT.
 HOLE IN PIPE AT TOP OF LID FOR
 SUCTION HOSE FOR 4" HOSE.